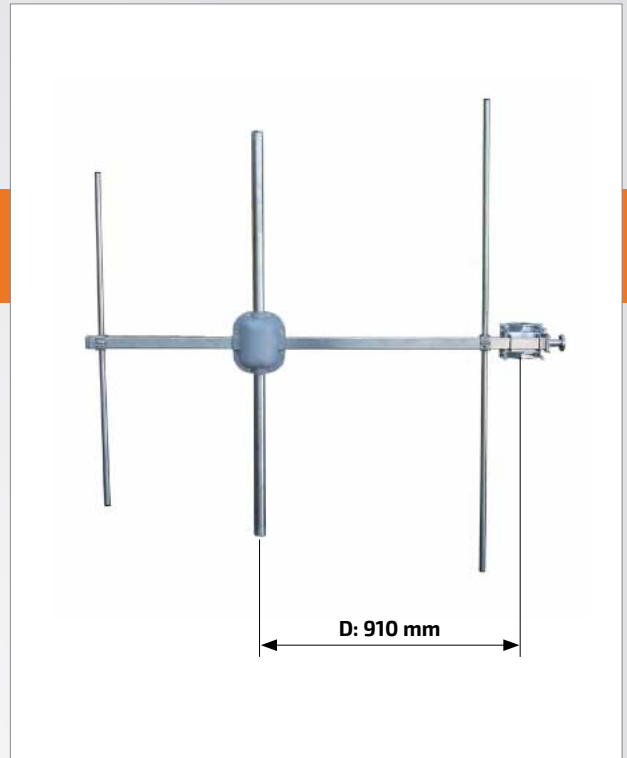


FM-07

FM YAGI ANTENNA

FEATURES

- vertical or horizontal polarization
- broadband 87.5 ÷ 108 MHz
- 4.5 dB gain
- directional pattern
- stainless steel



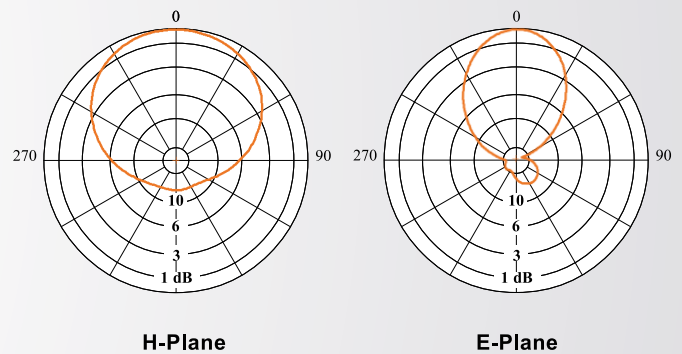
ELECTRICAL DATA

ANTENNA TYPE	FM-07
FREQUENCY RANGE	87.5 ÷ 108 MHz
IMPEDANCE	50 ohm
CONNECTOR	NF or 7/16 F or 7/8" EIA or 7/8" EIA 90°
MAX POWER	0,75 kW (NF), 3 kW (7/16 F), 5 kW (7/8" EIA), 5 kW (7/8" EIA 90°)
VSWR	≤ 1.3
POLARIZATION	Vertical or Horizontal
GAIN (referred to half wave dipole)	4.5 dB
HALF POWER BEAMWIDTH	E-Plane ± 32° H-Plane ± 65°
LIGHTNING PROTECTION	All metal parts DC grounded

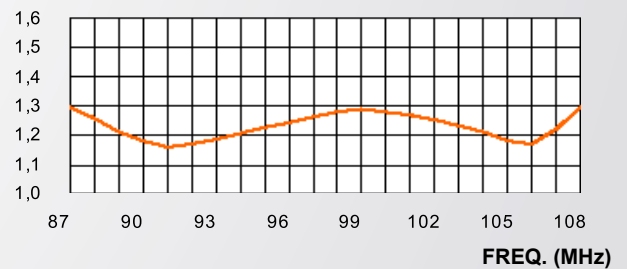
MECHANICAL DATA

DIMENSIONS	1643 x 1684 x 136 mm
WEIGHT	14 kg
WIND SURFACE	0.22 m ²
WIND LOAD (at 150 km/h)	0.28 kN
MAX WIND VELOCITY	220 km/h
MATERIALS	External parts (stainless steel, nickel plated brass) Internal parts (silver plated brass, polished brass, deoxidized aluminium) Radome (fiberglass)
ICING PROTECTION	Feed point radome
RADOME COLOUR	Grey (standard)
MOUNTING	With special pipe clamps ø 60 ÷ 114 mm

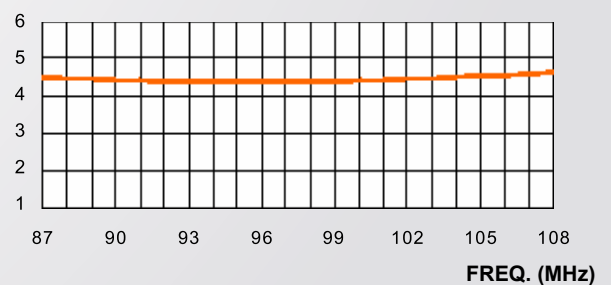
RADIATION PATTERNS (Mid Band)



VSWR



GAIN (dB)



FM-07

FM YAGI ANTENNA

FEATURES

- radiating systems with FM-07
- directional patterns
- high power systems
- broadband 87.5 ÷ 108 MHz

ELECTRICAL DATA

FREQUENCY RANGE	87.5 ÷ 108 MHz
IMPEDANCE	50 ohm
CONNECTOR	EIA flange according to system power rating
POWER RATING	The antenna system can accept any power according to requirements
VSWR	≤ 1.25 in the operating frequency
POLARIZATION	Vertical or Horizontal
GAIN	Refer to table
VERTICAL PATTERN	Null fill, beam tilt and special requirements to order
OTHER FEATURES	The antenna system can be supplied in split feed configuration (two equal halves). Each half can accept full power.

MECHANICAL DATA

HEIGHT OF ARRAY	Subject to number of bays
TOTAL NET WEIGHT	Refer to table
WIND LOAD	Refer to table
PRESSURIZABLE	Yes
RADOME COLOUR	Grey (standard)
MOUNTING HARDWARE	One clamp for pole, supplied

TECHNICAL DATA

NUMBER OF BAYS	PANELS PER BAY	GAIN (1)	GAIN TIMES (1)	WEIGHT (2)	ANTENNA HEIGHT L (m)	WIND LOAD (3)
2	1	7.5	5.6	32	4.3	0.56
4	1	10.5	11.2	64	9.5	1.12
6	1	12.2	16.6	96	14.7	1.68
8	1	13.5	22.3	128	19.9	2.24
12	1	15.2	33.2	192	30.3	3.36

(1) referred to half wave dipole. Losses of power distribution network not included.
 (2) without mounting hardware
 (3) v= 150 km/h

