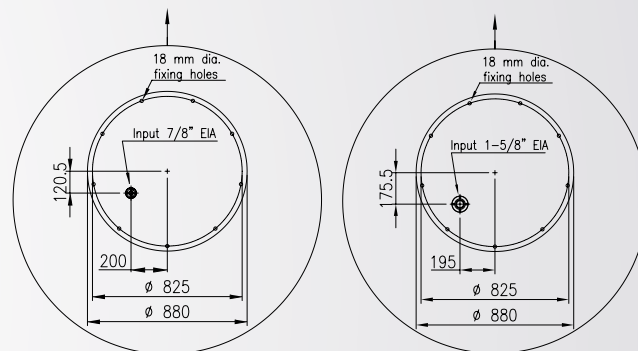
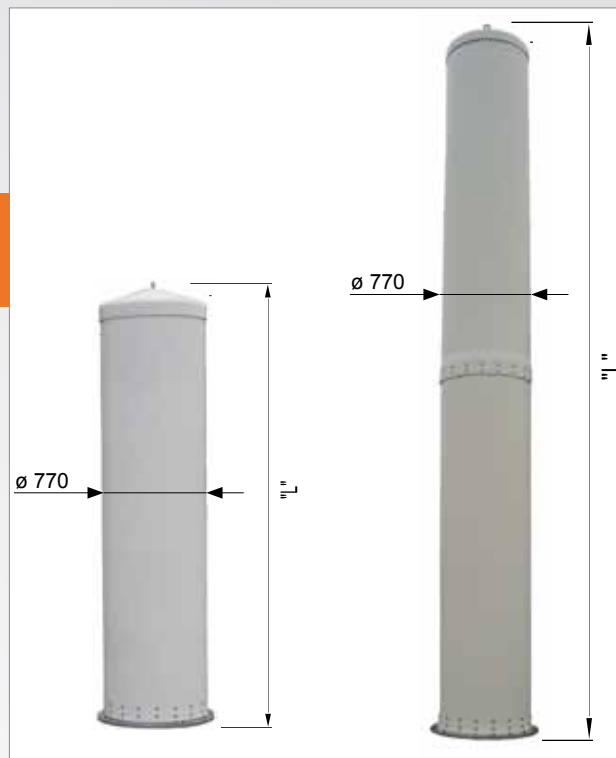


3VTV-18

VHF SUPERTURNSTILE ANTENNA

FEATURES

- horizontal polarization
- broadband 174 ÷ 230 MHz
- omnidirectional pattern
- self supporting radome



base referred to 3VTV-18/2

base referred to 3VTV-18/4

ELECTRICAL DATA

ANTENNA TYPE	3VTV-18/2	3VTV-18/4
FREQUENCY RANGE	174 ÷ 230 MHz	
IMPEDANCE	50 ohm	
CONNECTOR	7/8" EIA	1-5/8" EIA
MAX POWER	2 kW	4 kW
VSWR	≤ 1.1	
POLARIZATION	Horizontal	
GAIN (referred to half wave dipole)	4.5 dB	7.5 dB
LIGHTNING PROTECTION	All metal parts DC grounded	

MECHANICAL DATA

DIAMETER	880 mm	
ANTENNA HEIGHT "L"	3190 mm	6320 mm
WEIGHT	235 kg	355 kg
WIND SURFACE	2.4 m ²	4.8 m ²
WIND LOAD (wind speed at 150 km/h)	1.9 kN	3.8 kN
MAX WIND VELOCITY	220 km/h	
MATERIALS	Brass, aluminium, galvanized steel, teflon, fiberglass (radome)	
ICING PROTECTION	Full radome	
RADOME COLOUR	White	
MOUNTING	Directly on top of existing mast by means of a flange	

RADIATION PATTERNS (Mid Band)

